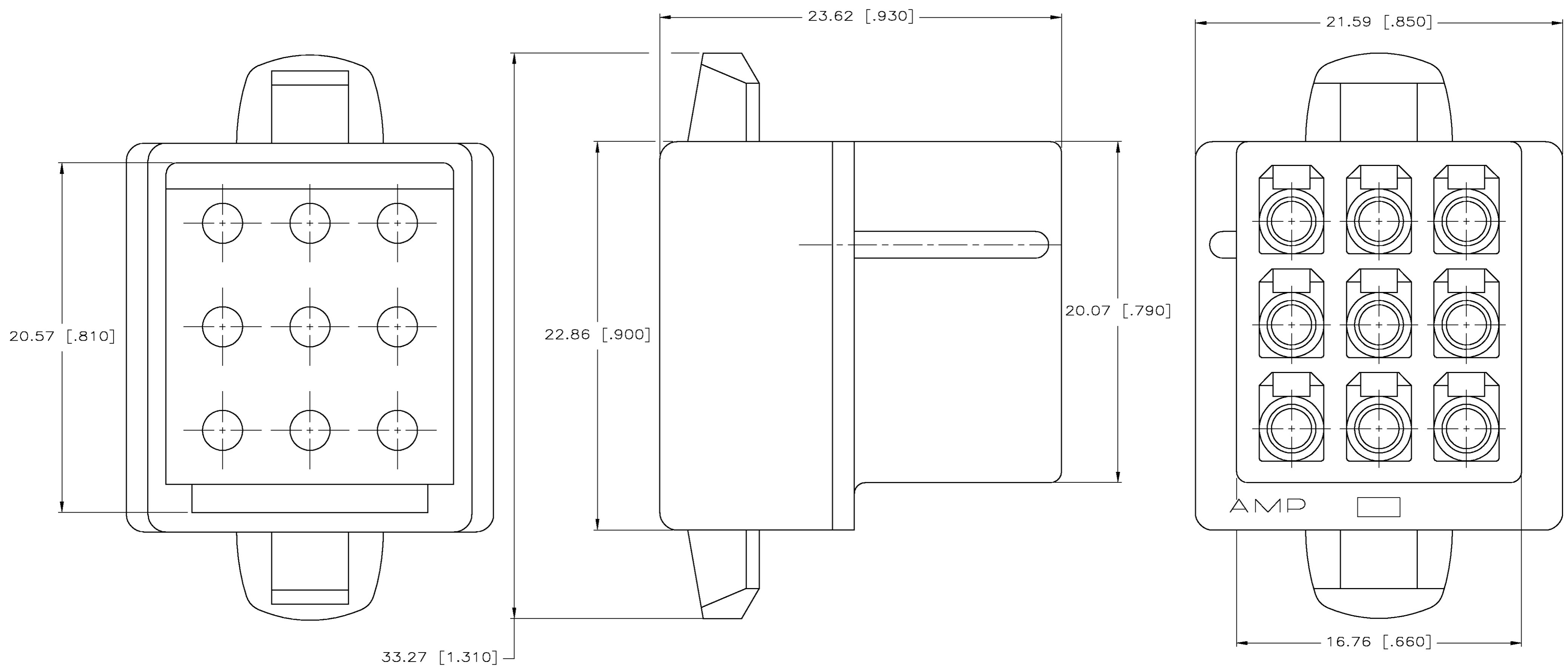


THIS DRAWING IS UNPUBLISHED. RELEASED FOR PUBLICATION  
 © COPYRIGHT BY TYCO ELECTRONICS CORPORATION. ALL RIGHTS RESERVED.

LOC	DIST	REVISIONS			
P	LTR	DESCRIPTION	DATE	DWN	APVD
CM	00				
	J	REVISED PER 0G3B-0763-03	15-JAN-04	SH	DC

1. TO BE USED WITH MATE-N-LOK PINS.
2. TO BE USED WITH PLUG 480274.



1-480277-0  
PART NO.

THIS DRAWING IS A CONTROLLED DOCUMENT.		DWN S. HOOVER 15-JAN-2004	Tyco Electronics Corporation Harrisburg, PA 17105-3608	
DIMENSIONS: MM [INCHES]	TOLERANCES UNLESS OTHERWISE SPECIFIED:	CHK D. COLEY 15-JAN-2004	NAME	
	0 PLC ±	APVD D. COLEY 15-JAN-2004	CAP, 9 CIRCUIT MATE-N-LOK™	
	1 PLC ±	PRODUCT SPEC	SIZE	CAGE CODE
	2 PLC ±	APPLICATION SPEC	A2	00779
	3 PLC ± 0.13 [0.005]	WEIGHT	DRAWING NO. C=480277	
	4 PLC ±	CUSTOMER DRAWING	SCALE	6:1
MATERIAL	FINISH	SHEET 1 OF 1		REV J